

# Cafè Chair

Philippe Starck | 1984



A chair designed by the most famous French designer for the most famous French café: "Café Costes" in Paris.

This stackable chair is comfortable and solid: the ideal chair for café. Suitable for any space, it can be easily matched with various materials. Its elegant curving back recalls cultured images as well as homespun memories, through its soft and alluring effects.

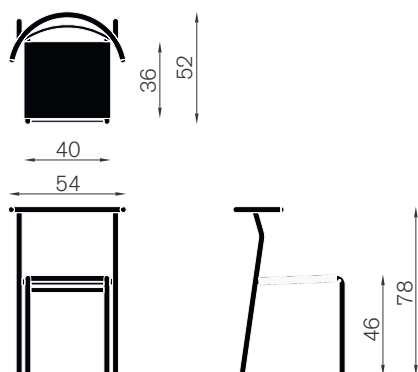
Materials:

Structure: structure in tubular steel

Seat: latex rubber and polypropylene belting

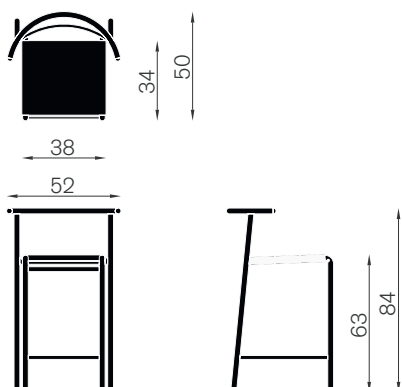
ps210  
stackable chair

---



ps212  
kitchen stool

---



ps213  
bar stool

---

