

Ludwig

Hannes Wettstein | 1989



The edgeless design, every place with the same meaning,
it does not impose predetermined roles.

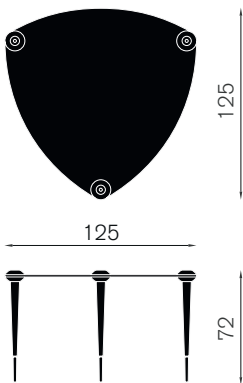
Family of tables with tops in transparent clear 15 mm crystal and tensile structure in stainless steel (except for the small triangular table). The tubular chromed steel legs are attached to the top by means of a pair of shells in cast aluminium with the same finish as the legs.

Materials:

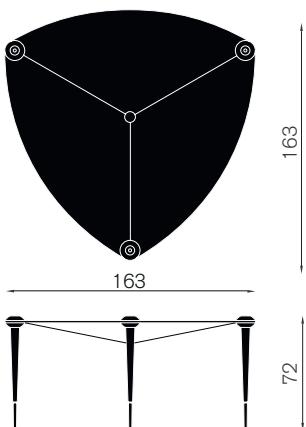
Structure: tubular chromed steel legs.

Top: transparent clear 15 mm crystal.

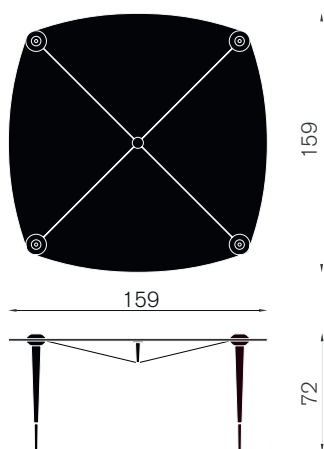
hw610 a
small triangular table 125 cm



hw610 b
large triangular table 163 cm



hw610 c
tavolo quadrato 159 cm



hw610 d
elliptical table 236 cm

