

Marì U

Luigi Baroli | 2015

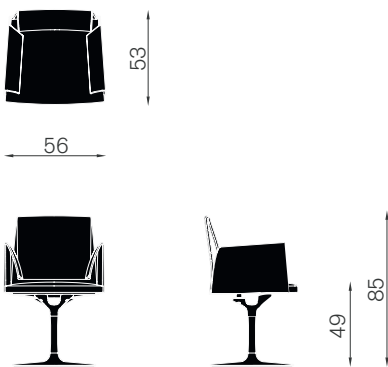


Unprecedented comfort achieved through
a particular use of “empty spaces”.

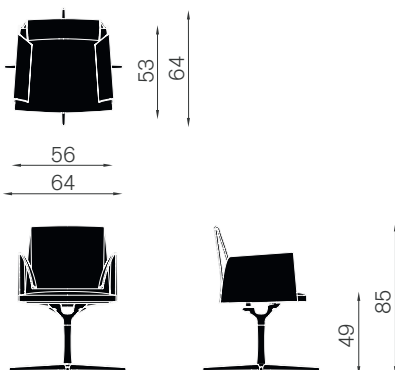
Armchair with armrests. Steel frame with flexible armrests and backrest in compact polyurethane on a harmonic-steel skeleton. Seat in cold-cured CFC-free polyurethane foam. Cover in fabric, technical fabric or leather. Available with a wide range of bases, all 360° swivel: round base with aluminium column painted in the body colour; four-star base in die-cast aluminium chrome-plated or polished; five-star base adjustable chrome-plated or polished on painted die-cast aluminium castors, steel height adjuster.

Structure: steel frame with flexible backrest and armrests in compact polyurethane with harmonic steel skeleton.
Seat: cold-cured CFC-free polyurethane foam.
Covers: fabric, technical fabric or leather.

lb104 bt
armchair with round base



lb104 4r
armchair with 4-ways base



lb103 5r
armchair with 5-ways base

