

# President M

Philippe Starck | 1984



The anthropomorphic silhouettes are so visually striking and so ideally suited to their function that the table top seems to be floating on cushion of air.

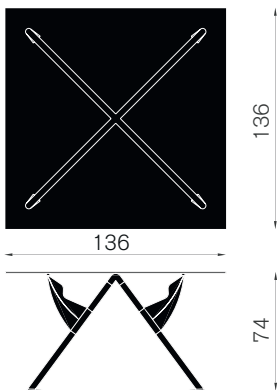
Demountable structure with three or four legs in steel tubing and cast aluminum painted with epoxy powders.  
Square and rectangular tops in layered glass 10 mm thick with transparent surface or translucent printed surface. Round top in 15 mm.

Materials

Base: four legs in steel tubing and cast aluminum painted with epoxy powders.  
Tops: layered glass with transparent surface or translucent printed surface.

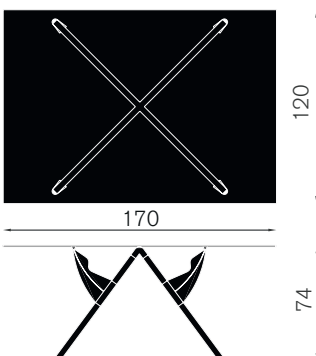
ps 203 q  
square table 136 cm

---



ps203 r  
rectangular table 170 cm

---



ps 204  
round table ø 150 cm

---

